



Model Number BK3-CI-TF-405T-6-RR-G-75-230|460-60

MFG PN TFC405T75U6B

List Price --

All data shown at HIGH voltage setting

Format | STD 3 Phase

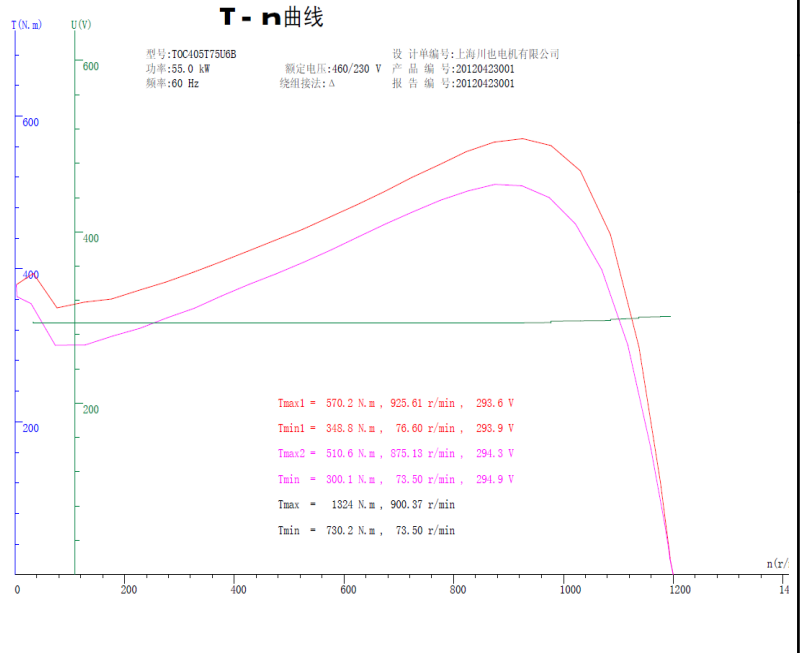
Electrical Data		General Data	
Rated Motor Output Power	75 HP	Frame Size	405
Rated Motor Speed	1135 r/min	Enclosure	TEFC
Rated Motor Voltage (3 Phase)	230 460-60 Volts - HZ	Approximate Weight	1060.4
Rated Motor Current	164/82 Amps	NEMA Design	--
Service Factor	1.15	IP Rating	55
KVA Code	F	Insulation Class	F
Nominal Efficiency	92.2 %	Tropicalization	YES
Nominal Power Factor	91 cosθ	Duty	Cont.
Full Load Torque Ft-Lb	346.54 Ft-Lb	Cable Entry	1.25
Temp Rise @ Full Load °C	--	Feet Removable	YES
Efficiency Level	IE3 - NEMA Premium	Double Drilled	NO

Load Data	RPM	Trq %FL	Current Amps	Mechanical Data	
Locked Rotor	-	278	--	Rated Ambient (°C)	40
Breakdown	-	289	-	Rated Altitude (M)	1000
Pull Up	-	179	-	Coating	7024 - Graphite Grey
125% of FL	1128	-	107	Shaft Grounding	NO
75% of FL	1161	-	63.3	Brake Voltage (DC)	--
50% of FL	1172	-	44.7	Brake Torque (N-M)	--
No Load	--	-	25.4		

Hazardous Location	CL/II Div2 Grp C,D/F,G			Bearing DE Side	6316 C3
				Bearing NDE Side	6314 C3
				Moment of Inertia	-- kg.m2
				Noise Level	Per NEMA dB (A)

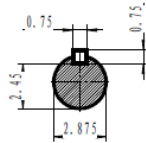
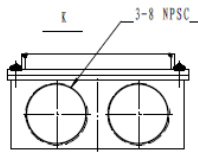
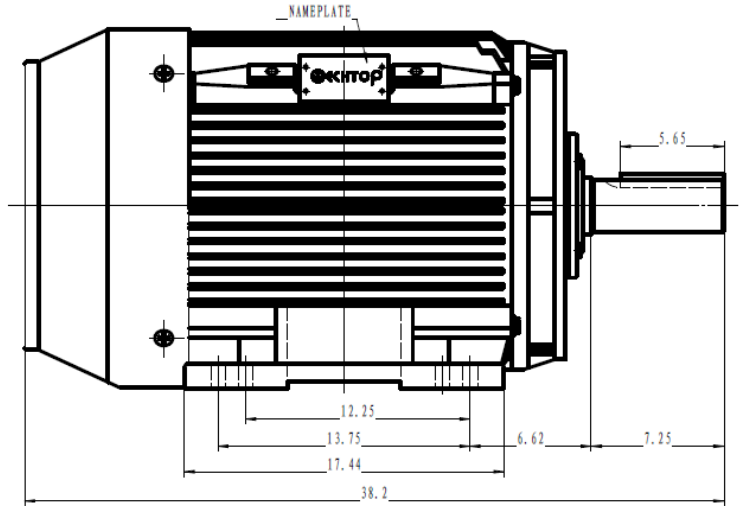
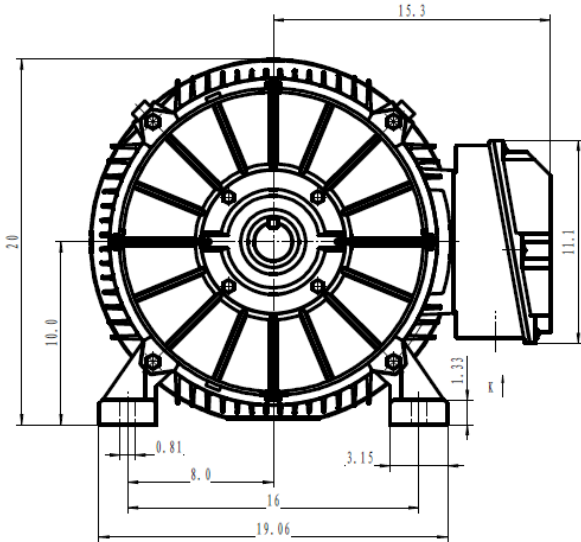
CT VFD Range	--	Loaded Torque Curves	--
P1 = INPUT POWER (KW), S = Slip (% of Sync RPM), η = Efficiency (%), cosφ = Power Factor			

Certifications	UL	CSA	DOE
File Numbers	323353	224693	096A
Wiring Diagram	3PH 12 Lead Dual Voltage		





Model Number	BK3-CI-TF-405T-6-RR-G-75-230 460-60
MFG PN	TFC405T75U6B
List Price	--
Base Frame	BK-405T-CI-TF



TECHTOP Shanghai HIMAK Electrical Machinery CO., LTD		NEMA TEFC 405T	
Design	Standard	NO:	TFC405T75U6B
Checker	Allow	STEP MARK	1:3.5 GDR Cast iron Motor
Revision	Date		

Techtop Industries -2815 Colonnades Court - Peachtree Corners, GA 30071 - Phone: (678) 436-5540