



<b>Model Number</b>	<b>BK3-CI-TF-404T-6-RR-G-60-230 460-60</b>
<b>MFG PN</b>	<b>TFC404T60U6B</b>
<b>List Price</b>	--

All data shown at HIGH voltage setting

Format | STD 3 Phase

Electrical Data		General Data	
Rated Motor Output Power	60 HP	Frame Size	404
Rated Motor Speed	1135 r/min	Enclosure	TEFC
Rated Motor Voltage (3 Phase)	230 460-60 Volts - HZ	Approximate Weight	954.8
Rated Motor Current	135.2/67.6 Amps	NEMA Design	--
Service Factor	1.15	IP Rating	55
KVA Code	F	Insulation Class	F
Nominal Efficiency	92 %	Tropicalization	YES
Nominal Power Factor	90 cosθ	Duty	Cont.
Full Load Torque Ft-Lb	277.23 Ft-Lb	Cable Entry	1.25
Temp Rise @ Full Load °C	--	Feet Removable	YES
Efficiency Level	IE3 - NEMA Premium	Double Drilled	NO

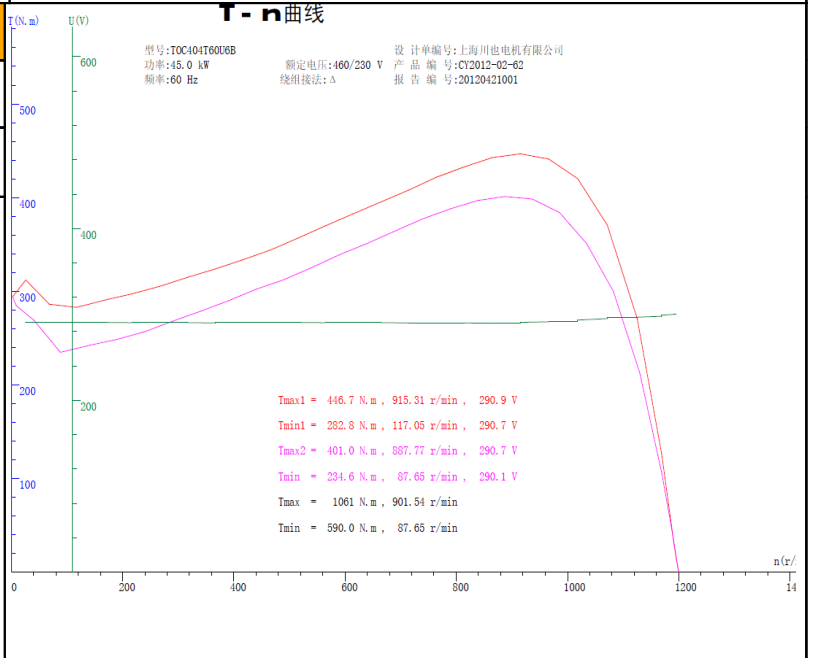
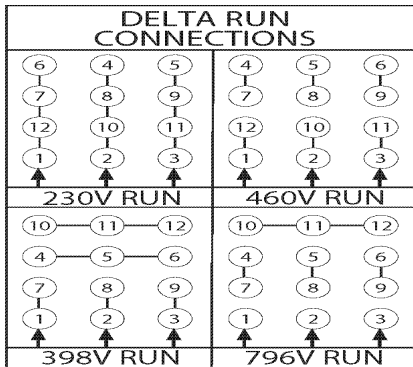
Load Data	RPM	Trq %FL	Current Amps	Mechanical Data	
Locked Rotor	-	280	--	Bearing DE Side	6316 C3
Breakdown	-	283	-	Bearing NDE Side	6314 C3
Pull Up	-	177	-	Moment of Inertia	-- kg.m2
125% of FL	1125	-	88.6	Noise Level	Per NEMA dB (A)
75% of FL	1161	-	53		
50% of FL	1170	-	37.9		
No Load	--	-	22.75		

Hazardous Location	CL/II Div2 Grp C,D/F,G			Loaded Torque Curves		--		
				<b>P1 = INPUT POWER (KW), S = Slip (% of Sync RPM), η = Efficiency (%), cosφ = Power Factor</b>				
				<b>T - n 曲线</b>				
				型号: TOC404T60U6B 功率: 45.0 kW 频率: 60 Hz 额定电压: 460/230 V 绕组接法: Δ 设计单编号: 上海川也电机有限公司 产品编号: CY2012-02-62 报告编号: 20120421001				

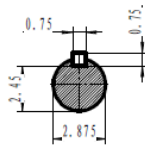
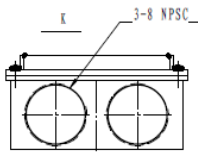
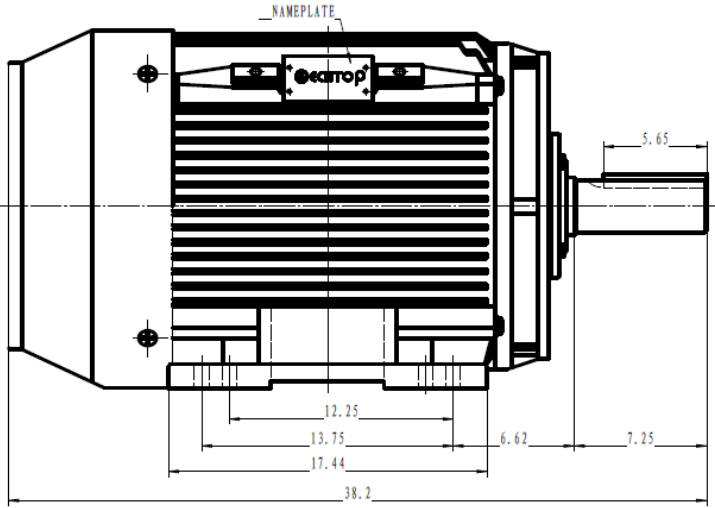
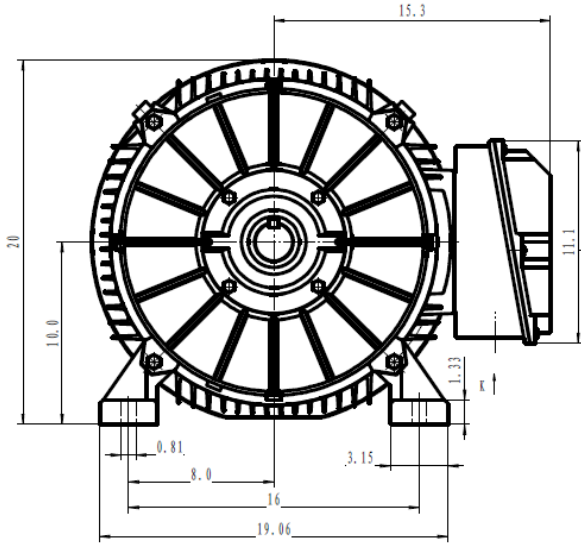
CT VFD Range	--
--------------	----

Certifications	UL	CSA	DOE
File Numbers	323353	224693	096A

**Wiring Diagram** 3PH 12 Lead Dual Voltage



Model Number	BK3-CI-TF-404T-6-RR-G-60-230 460-60
MFG PN	TFC404T60U6B
List Price	--
Base Frame	BK-404T-CI-TF



<b>TECHTOP</b>		NEMA TEFC 404T	
Shanghai HIMAK Electrical Machinery CO., LTD		ND:	TFC404T60U6B
Design	Standard	STEP MARK	1:3.5
Checker	Allow	SORT	Cast iron Motor
Auditor	Date		