



Model Number BK3-CI-TF-365T-6-BR-G-50-230|460-60

MFG PN TFC365T50U6B

List Price --

All data shown at HIGH voltage setting

Format | STD 3 Phase

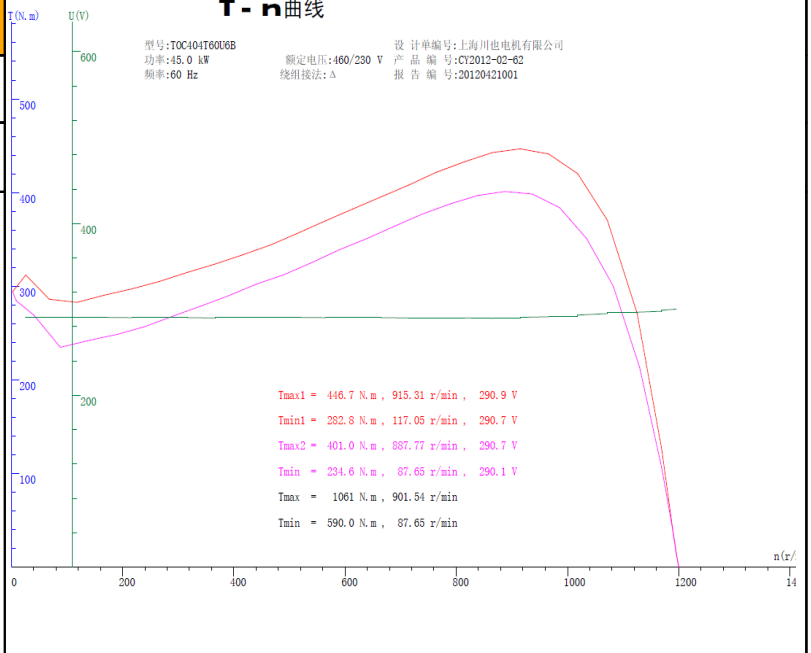
Electrical Data		General Data	
Rated Motor Output Power	50 HP	Frame Size	365
Rated Motor Speed	1138 r/min	Enclosure	TEFC
Rated Motor Voltage (3 Phase)	230 460-60 Volts - HZ	Approximate Weight	767.8
Rated Motor Current	111/55.5 Amps	NEMA Design	--
Service Factor	1.15	IP Rating	55
KVA Code	F	Insulation Class	F
Nominal Efficiency	91.9 %	Tropicalization	YES
Nominal Power Factor	91 cosθ	Duty	Cont.
Full Load Torque Ft-Lb	230.42 Ft-Lb	Cable Entry	1.25
Temp Rise @ Full Load °C	--	Feet Removable	YES
Efficiency Level	IE3 - NEMA Premium	Double Drilled	NO

Load Data	RPM	Trq %FL	Current Amps	Mechanical Data	
Locked Rotor	-	285	--	Rated Ambient (°C)	40
Breakdown	-	284	-	Rated Altitude (M)	1000
Pull Up	-	177	-	Coating	7024 - Graphite Grey
125% of FL	1119	-	73.7	Shaft Grounding	NO
75% of FL	1157	-	43.4	Brake Voltage (DC)	--
50% of FL	1172	-	30.7	Brake Torque (N-M)	--
No Load	--	-	15		

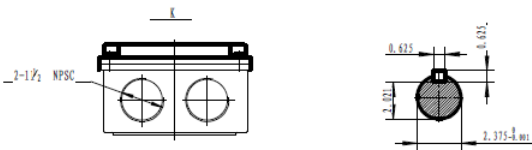
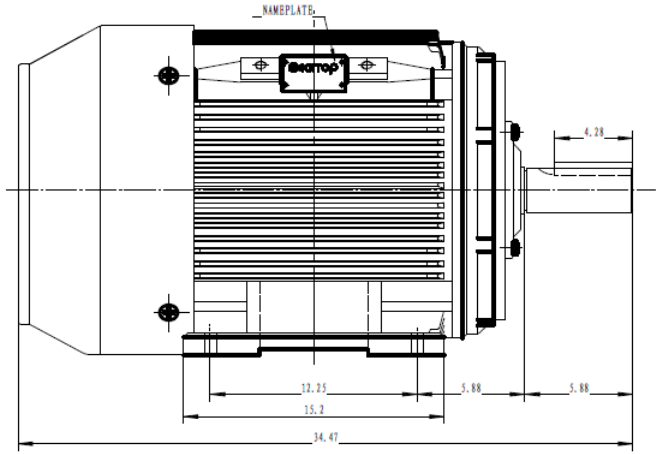
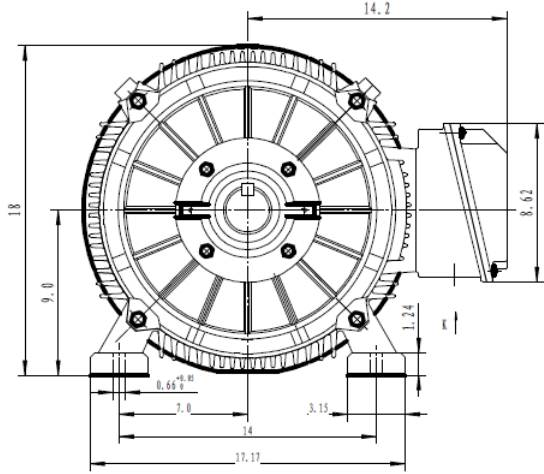
Hazardous Location	CL/II Div2 Grp C,D/F,G			Bearing DE Side	6313 C3
				Bearing NDE Side	6313 C3
				Moment of Inertia	-- kg.m2
				Noise Level	Per NEMA dB (A)


CT VFD Range	--	Loaded Torque Curves	--
P1 = INPUT POWER (KW), S = Slip (% of Sync RPM), η = Efficiency (%), cosφ = Power Factor			

Certifications	UL	CSA	DOE
File Numbers	323353	224693	096A
Wiring Diagram	3PH 12 Lead Dual Voltage		



Model Number	BK3-CI-TF-365T-6-BR-G-50-230 460-60
MFG PN	TFC365T50U6B
List Price	--
Base Frame	BK-365T-CI-TF



 Shanghai HIMAK Electrical Machinery CO., LTD		NEMA TEFC 365T			
		NO:	TFC365T50U6B		
Design	Standard	STEP MARK	1:5	SORT	Cast iron Motor
Checker	Allow				
Auditing	Date				