



Model Number BK3-CI-TF-364T-6-BR-G-40-230|460-60

MFG PN TFC364T40U6B

List Price --

All data shown at HIGH voltage setting

Format | STD 3 Phase

Electrical Data		General Data	
Rated Motor Output Power	40 HP	Frame Size	364
Rated Motor Speed	1135 r/min	Enclosure	TEFC
Rated Motor Voltage (3 Phase)	230 460-60 Volts - HZ	Approximate Weight	699.6
Rated Motor Current	92/46 Amps	NEMA Design	--
Service Factor	1.15	IP Rating	55
KVA Code	F	Insulation Class	F
Nominal Efficiency	91.5 %	Tropicalization	YES
Nominal Power Factor	89 cosθ	Duty	Cont.
Full Load Torque Ft-Lb	184.82 Ft-Lb	Cable Entry	1.25
Temp Rise @ Full Load °C	--	Feet Removable	YES
Efficiency Level	IE3 - NEMA Premium	Double Drilled	NO

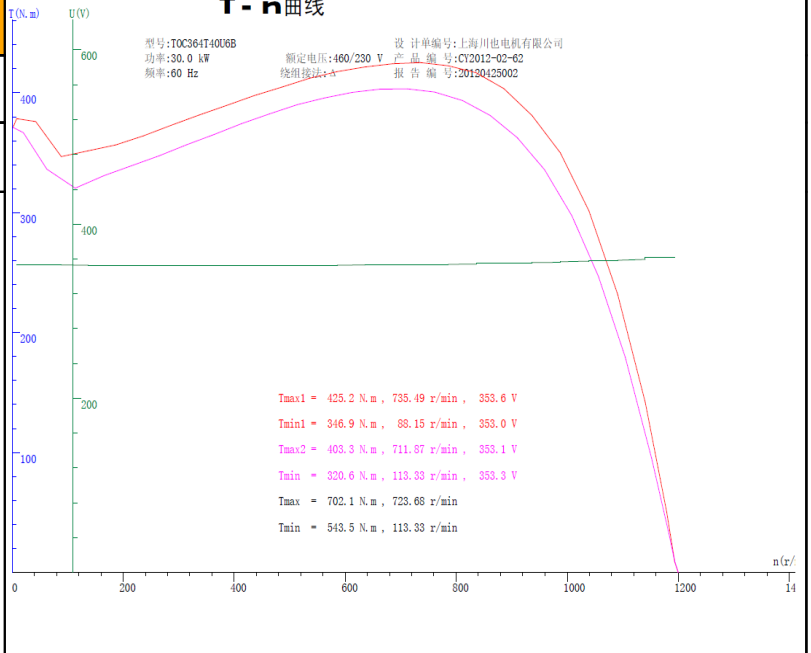
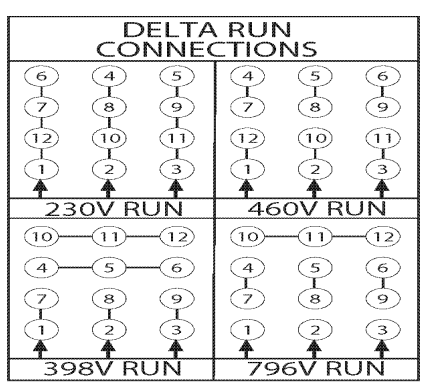
Load Data	RPM	Trq %FL	Current Amps	Mechanical Data	
Locked Rotor	-	278	--	Bearing DE Side	6313 C3
Breakdown	-	279	-	Bearing NDE Side	6313 C3
Pull Up	-	216	-	Moment of Inertia	-- kg.m2
125% of FL	1118	-	60.2	Noise Level	Per NEMA dB (A)
75% of FL	1156	-	35.7		
50% of FL	1170	-	25.6		
No Load	--	-	14		

Hazardous Location	CL/II Div2 Grp C,D/F,G			Loaded Torque Curves		--		
				P1 = INPUT POWER (KW), S = Slip (% of Sync RPM), η = Efficiency (%), cosφ = Power Factor				
				<p>型号: TOC364T40U6B 功率: 30.0 kW 频率: 60 Hz 额定电压: 460/230 V 绕组接法: Y 设计单编号: 上海川也电机有限公司 产品编号: CY2012-02-62 报告编号: 20130423002</p>				

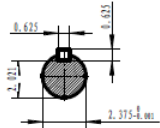
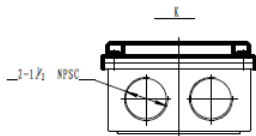
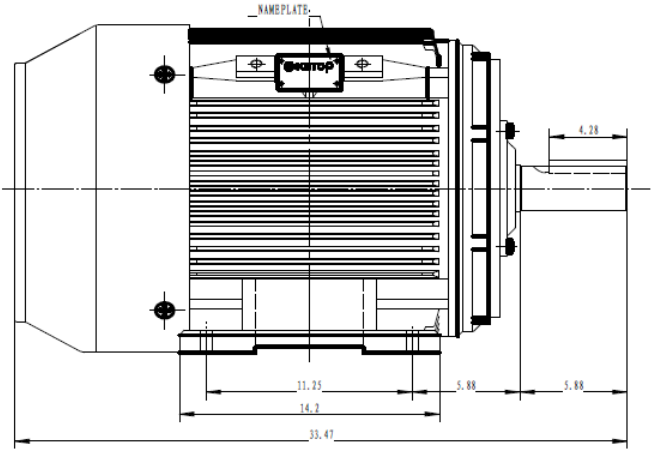
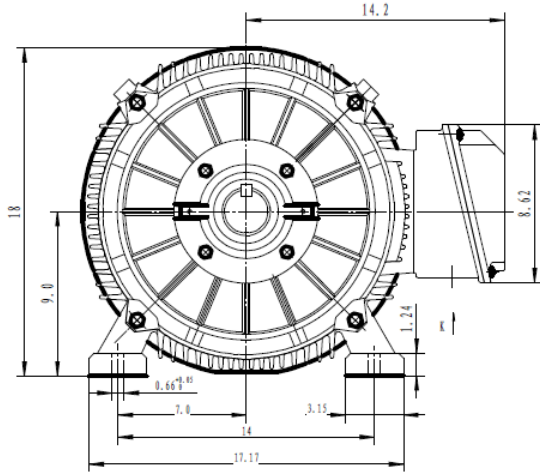
CT VFD Range	--
--------------	----


Certifications	UL	CSA	DOE
File Numbers	323353	224693	096A

Wiring Diagram 3PH 12 Lead Dual Voltage



Model Number	BK3-CI-TF-364T-6-BR-G-40-230 460-60
MFG PN	TFC364T40U6B
List Price	--
Base Frame	BK-364T-CI-TF



 ShangHai HIMAK Electrical Machinery CO., LTD		NEMA TEFC 364T			
		NO:	TFC364T40U6B		
Design	Standard	STEP MARK	1:5	SORT	Cast iron Motor
Checker	Allow				
Auditing	Date				