



<b>Model Number</b>	<b>BK3-CI-TF-326T-6-BR-G-30-230 460-60</b>
<b>MFG PN</b>	<b>TFC326T30U6B</b>
<b>List Price</b>	--

All data shown at HIGH voltage setting

Format | STD 3 Phase

Electrical Data		General Data	
Rated Motor Output Power	30 HP	Frame Size	326
Rated Motor Speed	1136 r/min	Enclosure	TEFC
Rated Motor Voltage (3 Phase)	230 460-60 Volts - HZ	Approximate Weight	512.6
Rated Motor Current	71/35.5 Amps	NEMA Design	--
Service Factor	1.15	IP Rating	55
KVA Code	F	Insulation Class	F
Nominal Efficiency	91.1 %	Tropicalization	YES
Nominal Power Factor	86 cosθ	Duty	Cont.
Full Load Torque Ft-Lb	138.49 Ft-Lb	Cable Entry	1.25
Temp Rise @ Full Load °C	--	Feet Removable	YES
Efficiency Level	IE3 - NEMA Premium	Double Drilled	NO

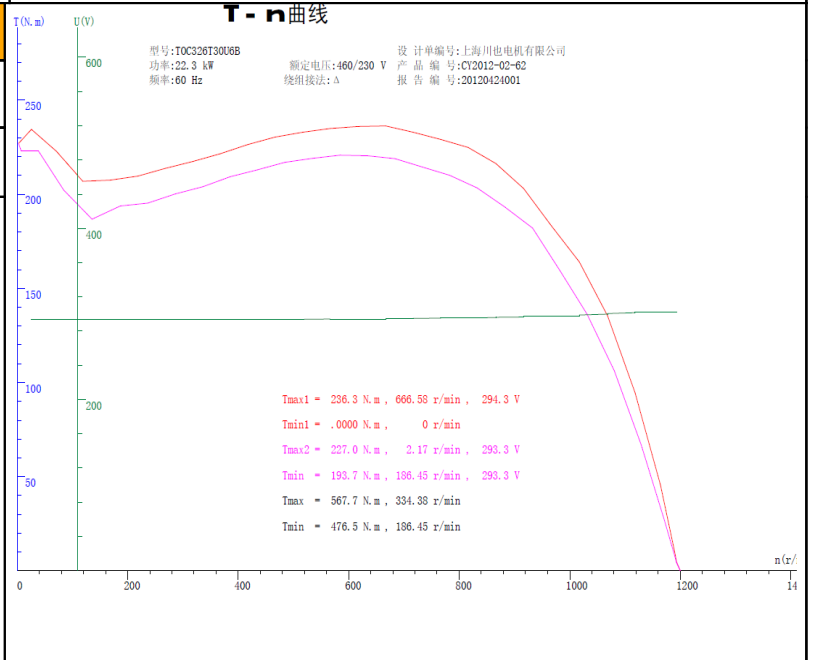
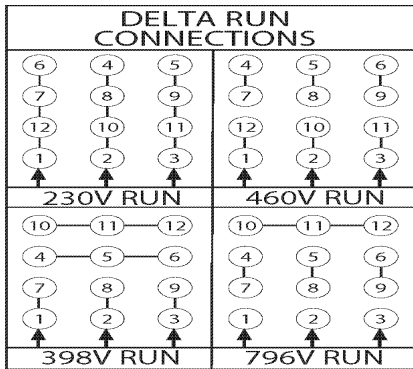
Load Data	RPM	Trq %FL	Current Amps	Rated Ambient (°C)
Locked Rotor	-	289	--	40
Breakdown	-	364	-	Rated Altitude (M)
Pull Up	-	230	-	1000
125% of FL	1110	-	49	Coating
75% of FL	1157	-	32	7024 - Graphite Grey
50% of FL	1172	-	25.7	Shaft Grounding
No Load	--	-	19.33	NO

Mechanical Data	
Bearing DE Side	6312 C3
Bearing NDE Side	6312 C3
Moment of Inertia	-- kg.m2
Noise Level	Per NEMA dB (A)

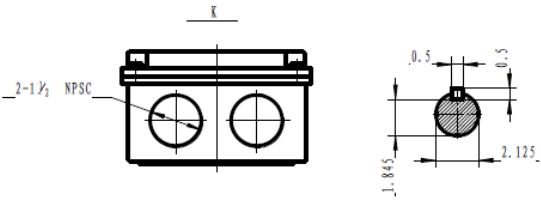
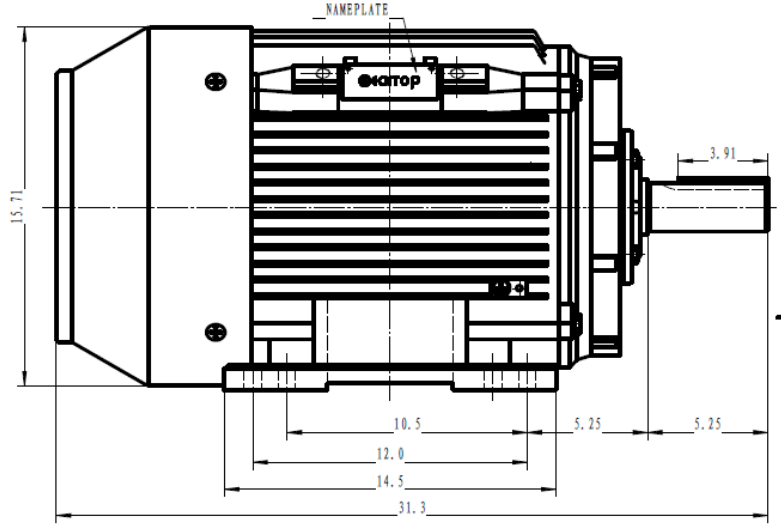
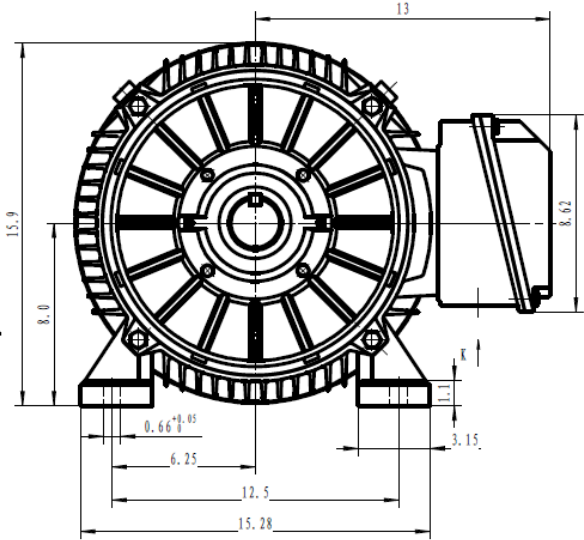
Hazardous Location	CL/II Div2 Grp C,D/F,G		Loaded Torque Curves	--
CT VFD Range	--		<b>P1 = INPUT POWER (KW), S = Slip (% of Sync RPM), η = Efficiency (%), cosφ = Power Factor</b>	


Certifications	UL	CSA	DOE
File Numbers	323353	224693	096A

Wiring Diagram 3PH 12 Lead Dual Voltage



Model Number	BK3-CI-TF-326T-6-BR-G-30-230 460-60
MFG PN	TFC326T30U6B
List Price	--
Base Frame	BK-326T-CI-TF



 ShangHai HIMAK Electrical Machinery CO., LTD		TEFC 326T	
		NO:	TFC326T30U6B
Design	Standard	STEP MARK	1:4 SORT Cast iron Motor
Checker	Allow		
Auditing	Date		