



Model Number	BK3-CI-TF-324T-6-BR-G-25-230 460-60
MFG PN	TFC324T25U6B
List Price	--

All data shown at HIGH voltage setting

Format | STD 3 Phase

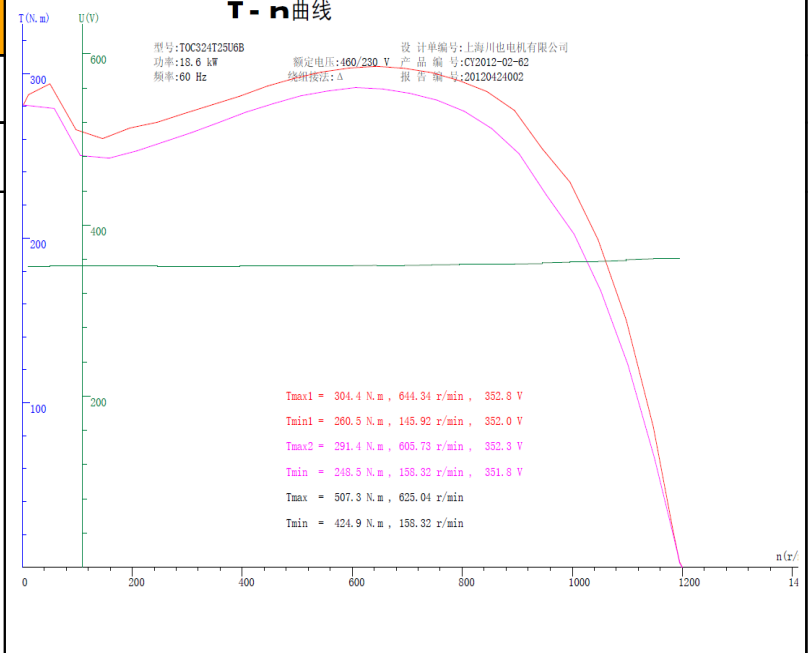
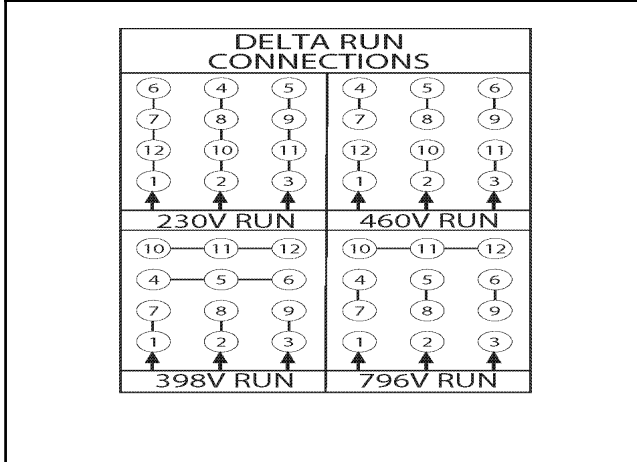
Electrical Data		General Data	
Rated Motor Output Power	25 HP	Frame Size	324
Rated Motor Speed	1135 r/min	Enclosure	TEFC
Rated Motor Voltage (3 Phase)	230 460-60 Volts - HZ	Approximate Weight	477.4
Rated Motor Current	60/30 Amps	NEMA Design	--
Service Factor	1.15	IP Rating	55
KVA Code	F	Insulation Class	F
Nominal Efficiency	90.7 %	Tropicalization	YES
Nominal Power Factor	86 cosθ	Duty	Cont.
Full Load Torque Ft-Lb	115.51 Ft-Lb	Cable Entry	1.25
Temp Rise @ Full Load °C	--	Feet Removable	YES
Efficiency Level	IE3 - NEMA Premium	Double Drilled	NO

Load Data	RPM	Trq %FL	Current Amps	Rated Ambient (°C)
Locked Rotor	-	324	--	40
Breakdown	-	349	-	Rated Altitude (M)
Pull Up	-	271	-	1000
125% of FL	1110	-	40.4	Coating
75% of FL	1153	-	25.2	7024 - Graphite Grey
50% of FL	1170	-	19.2	Shaft Grounding
No Load	--	-	14.3	NO

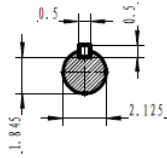
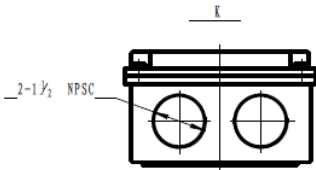
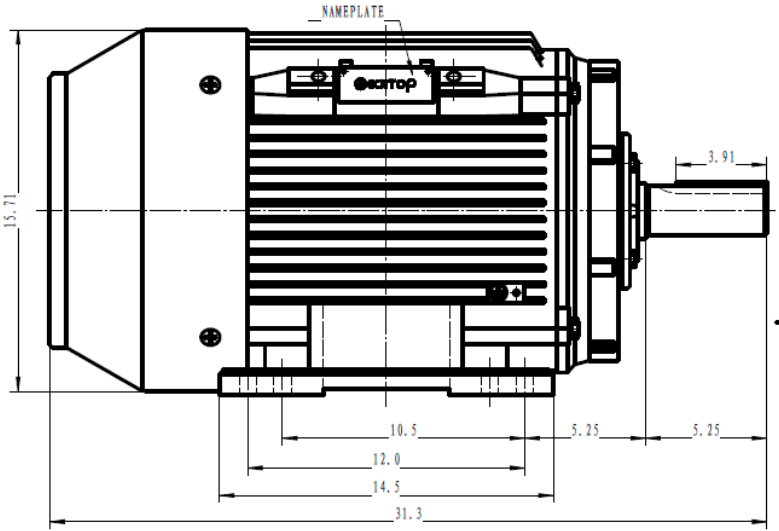
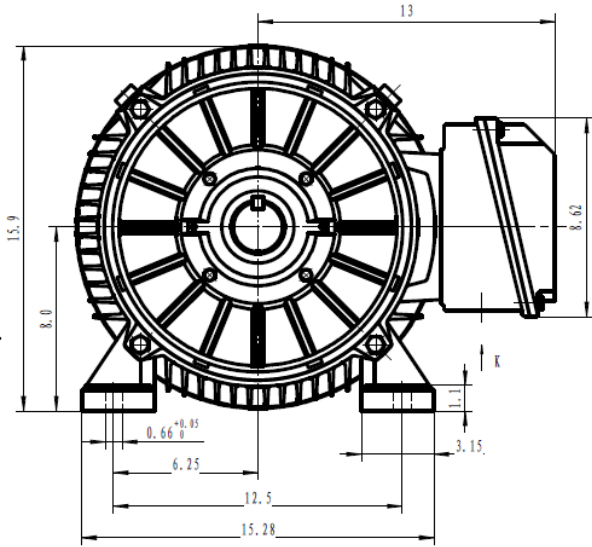
				Mechanical Data	
Hazardous Location		CL/II Div2 Grp C,D/F,G		Bearing DE Side	6312 C3
				Bearing NDE Side	6312 C3
				Moment of Inertia	-- kg.m2
				Noise Level	Per NEMA dB (A)


CT VFD Range	--	Loaded Torque Curves	
		P1 = INPUT POWER (KW), S = Slip (% of Sync RPM), η = Efficiency (%), cosφ = Power Factor	

Certifications	UL	CSA	DOE
File Numbers	323353	224693	096A
Wiring Diagram	3PH 12 Lead Dual Voltage		



Model Number	BK3-CI-TF-324T-6-BR-G-25-230 460-60
MFG PN	TFC324T25U6B
List Price	--
Base Frame	BK-324T-CI-TF



 Shanghai HIMAK Electrical Machinery CO., LTD		TEFC 324T	
		NO:	TFC324T25U6B
Design	Standard	STEP MARK	1:4
Checker	Allow	SORT Cast iron Motor	
Auditing	Date		