



**Model Number** BK3-CI-TF-256T-6-BR-G-10-230|460-60

**MFG PN** TFC256T10U6B

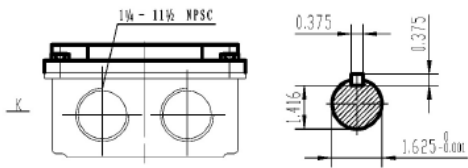
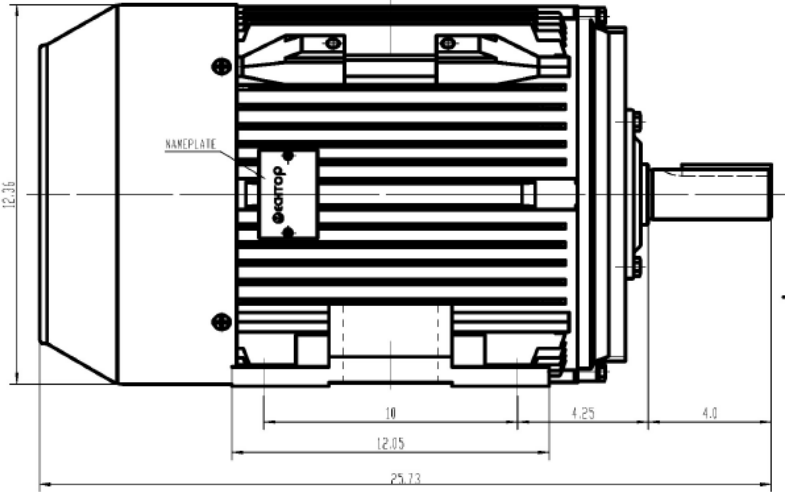
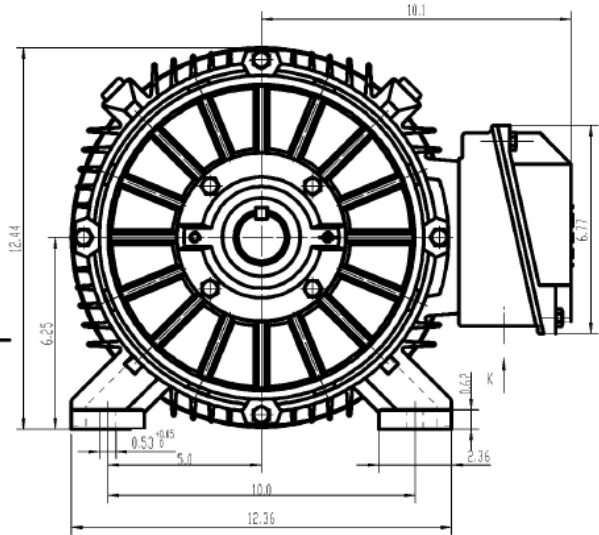
**List Price** --


All data shown at HIGH voltage setting

Format | STD 3 Phase

Electrical Data				General Data	
Rated Motor Output Power	10 HP			Frame Size	256
Rated Motor Speed	1138 r/min			Enclosure	TEFC
Rated Motor Voltage (3 Phase)	230 460-60 Volts - HZ			Approximate Weight	268.4
Rated Motor Current	26.0/13.0 Amps			NEMA Design	--
Service Factor	1.15			IP Rating	55
KVA Code	G			Insulation Class	F
Nominal Efficiency	87 %			Tropicalization	YES
Nominal Power Factor	83 cosθ			Duty	Cont.
Full Load Torque Ft-Lb	46.08 Ft-Lb			Cable Entry	1.25
Temp Rise @ Full Load °C	--			Feet Removable	YES
Efficiency Level	IE3 - NEMA Premium			Double Drilled	NO
Load Data	RPM	Trq %FL	Current Amps	Rated Ambient (°C)	40
Locked Rotor	-	277	--	Rated Altitude (M)	1000
Breakdown	-	296	-	Coating	7024 - Graphite Grey
Pull Up	-	208	-	Shaft Grounding	NO
125% of FL	1093	-	17.2	Brake Voltage (DC)	--
75% of FL	1146	-	10.6	Brake Torque (N-M)	--
50% of FL	1166	-	8.17	Mechanical Data	
No Load	--	-	6.2	Bearing DE Side	6309 C3
Hazardous Location	CL/II Div2 Grp C,D/F,G			Bearing NDE Side	6309 C3
				Moment of Inertia	-- kg.m2
				Noise Level	Per NEMA dB (A)
CT VFD Range		--		Loaded Torque Curves	
				P1 = INPUT POWER (KW), S = Slip (% of Sync RPM), η = Efficiency (%), cosφ = Power Factor	
Certifications	UL	CSA	DOE		
File Numbers	323353	224693	096A		
Wiring Diagram	3PH 12 Lead Dual Voltage				
<p style="text-align: center;"><b>DELTA RUN CONNECTIONS</b></p> <p style="text-align: center;">230V RUN      460V RUN</p> <p style="text-align: center;">398V RUN      796V RUN</p>					

Model Number	BK3-CI-TF-256T-6-BR-G-10-230 460-60
MFG PN	TFC256T10U6B
List Price	--
Base Frame	BK-256T-CI-TF



 ShangHai HIMAK Electrical Machinery CO., LTD		NEMA TEFC 256T	
		NO:	TFC256T10U6B
Design	yang	Standard	STBP MARK
Checker	Allow	chu	1:3 SORT
Auditing	Date	25/11/2009	Cast iron Motor