



Model Number BK3-CI-TF-254T-6-BR-G-7.5-230|460-60

MFG PN TFC254T7.5U6B

List Price --

All data shown at HIGH voltage setting

Format STD 3 Phase

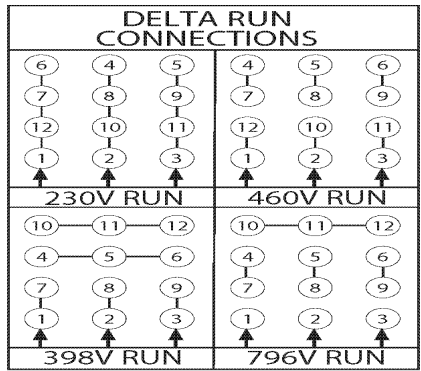
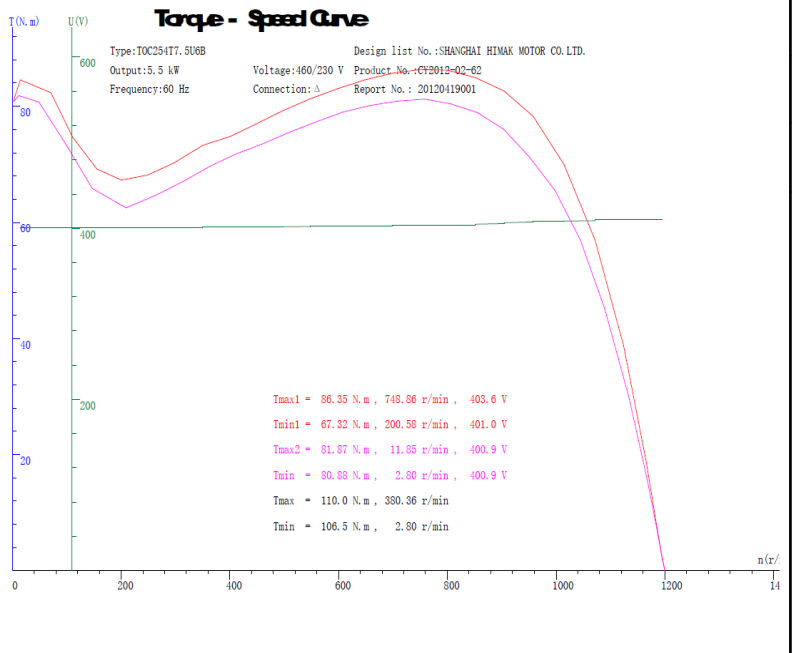
Electrical Data		General Data	
Rated Motor Output Power	7.5 HP	Frame Size	254
Rated Motor Speed	1110 r/min	Enclosure	TEFC
Rated Motor Voltage (3 Phase)	230 460-60 Volts - HZ	Approximate Weight	257.4
Rated Motor Current	20.4/10.2 Amps	NEMA Design	--
Service Factor	1.15	IP Rating	55
KVA Code	G	Insulation Class	F
Nominal Efficiency	84 %	Tropicalization	YES
Nominal Power Factor	83 cosθ	Duty	Cont.
Full Load Torque Ft-Lb	35.43 Ft-Lb	Cable Entry	1.25
Temp Rise @ Full Load °C	--	Feet Removable	YES
Efficiency Level	IE3 - NEMA Premium	Double Drilled	NO

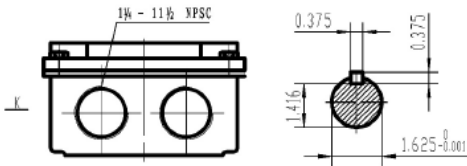
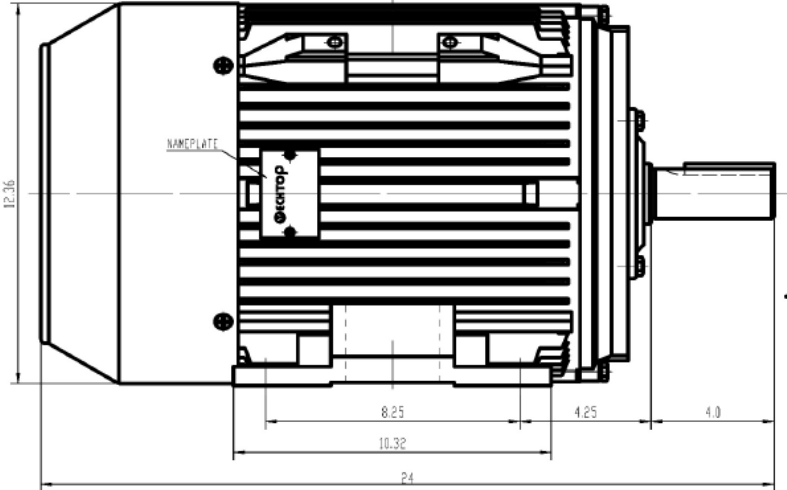
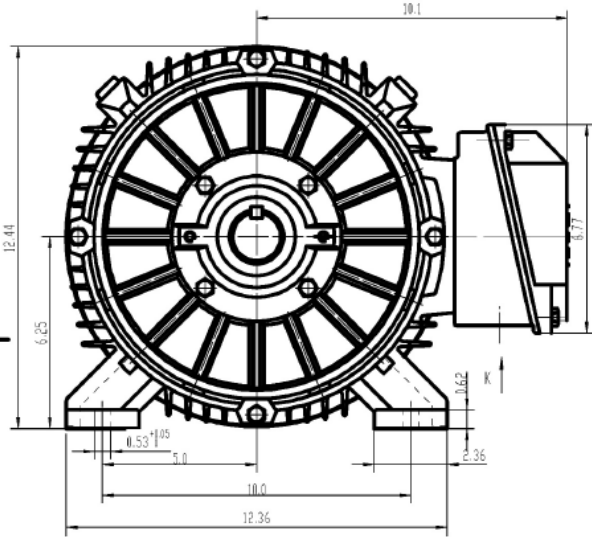
Load Data	RPM	Trq %FL	Current Amps	Mechanical Data	
Locked Rotor	-	279	--	Bearing DE Side	6309 C3
Breakdown	-	284	-	Bearing NDE Side	6309 C3
Pull Up	-	227	-	Moment of Inertia	-- kg.m2
125% of FL	1089	-	12.7	Noise Level	Per NEMA dB (A)
75% of FL	1144	-	7.7		
50% of FL	1164	-	5.9		
No Load	--	-	4.1		


Hazardous Location	CLII/II Div2 Grp C,D/F,G		Rated Ambient (°C)	40
--------------------	--------------------------	--	--------------------	----

CT VFD Range	--	Loaded Torque Curves		--
P1 = INPUT POWER (KW), S = Slip (% of Sync RPM), η = Efficiency (%), cosφ = Power Factor				

Certifications	UL	CSA	DOE
File Numbers	323353	224693	096A
Wiring Diagram	3PH 12 Lead Dual Voltage		





 ShangHai HIMAK Electrical Machinery CO., LTD		NEMA TEFC 254T	
		NO:	TFC254T7.5U6B
Design	yang Standard	STEP MARK	1:3
Checker	Allow chu	SORT	Cast iron Motor
Auditing	Date 25/11/2009		