



Model Number BK3-CI-TF-213T-6-B-G-3-230|460-60

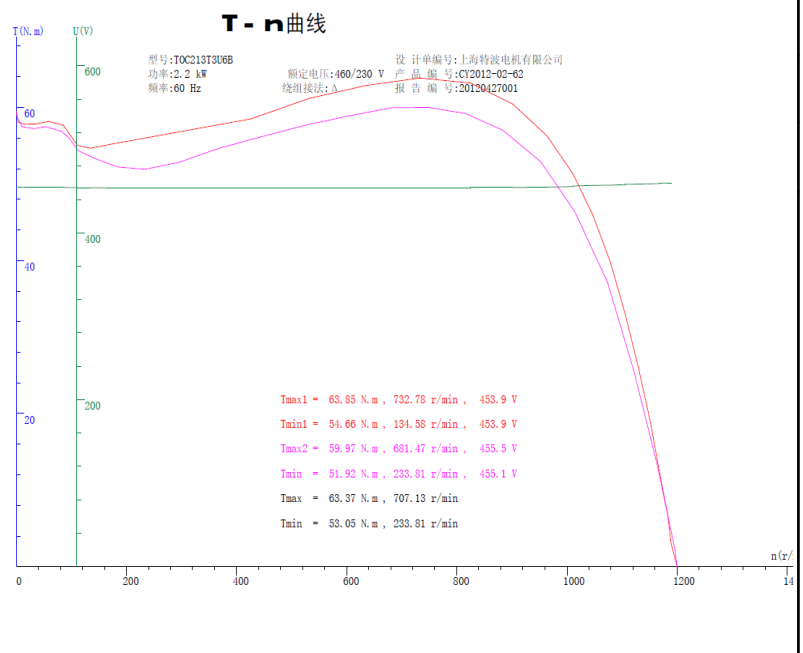
MFG PN TFC213T3U6B

List Price --

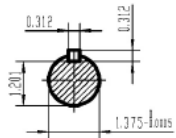
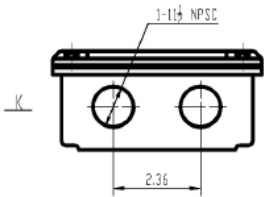
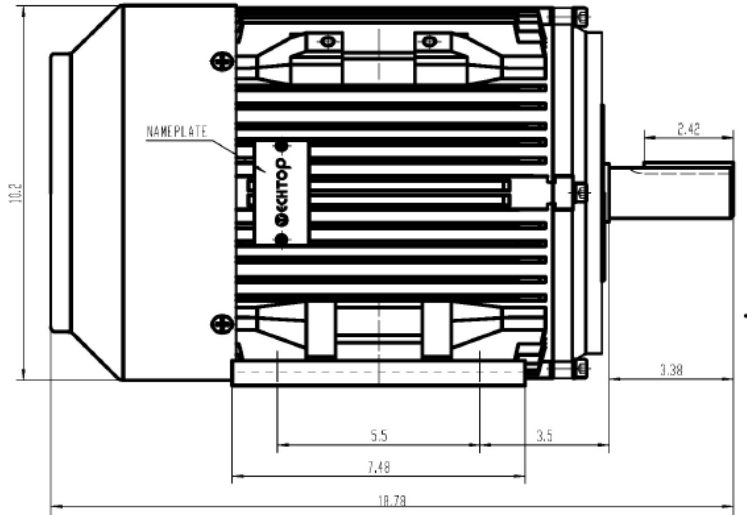
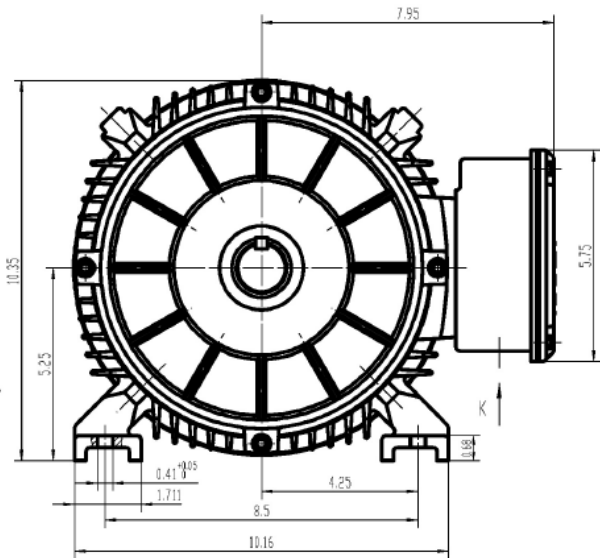
All data shown at HIGH voltage setting

Format STD 3 Phase

Electrical Data				General Data																															
Rated Motor Output Power	3 HP			Frame Size	213																														
Rated Motor Speed	1123 r/min			Enclosure	TEFC																														
Rated Motor Voltage (3 Phase)	230 460-60 Volts - HZ			Approximate Weight	127.6																														
Rated Motor Current	8.8/4.4 Amps			NEMA Design	--																														
Service Factor	1.15			IP Rating	55																														
KVA Code	J			Insulation Class	F																														
Nominal Efficiency	82.7 %			Tropicalization	YES																														
Nominal Power Factor	77 cosθ			Duty	Cont.																														
Full Load Torque Ft-Lb	14.01 Ft-Lb			Cable Entry	1.25																														
Temp Rise @ Full Load °C	--			Feet Removable	YES																														
Efficiency Level	IE3 - NEMA Premium			Double Drilled	NO																														
Load Data	RPM	Trq %FL	Current Amps	Rated Ambient (°C)	40																														
Locked Rotor	-	327	--	Rated Altitude (M)	1000																														
Breakdown	-	343	-	Coating	7024 - Graphite Grey																														
Pull Up	-	287	-	Shaft Grounding	NO																														
125% of FL	1117	-	5.6	Brake Voltage (DC)	--																														
75% of FL	1150	-	4	Brake Torque (N-M)	--																														
50% of FL	1155	-	3.4	Mechanical Data																															
No Load	--	-	2.9	Bearing DE Side	6308ZZ																														
Hazardous Location	CL/II Div2 Grp C,D/F,G			Bearing NDE Side	6308ZZ																														
				Moment of Inertia	-- kg.m2																														
				Noise Level	Per NEMA dB (A)																														
CT VFD Range		--		Loaded Torque Curves																															
				P1 = INPUT POWER (KW), S = Slip (% of Sync RPM), η = Efficiency (%), cosφ = Power Factor																															
Certifications	UL	CSA	DOE																																
File Numbers	323353	224693	096A																																
Wiring Diagram	3PH 9 Lead Dual Voltage																																		
<p>3 Phase - YY/Y - 9 Lead 4,1 Blue / 5,2 White / 6,3 Org / 7 Yl / 8 Blk / 9 RD Cast Iron- 1,2,3 Top - 4,5,6,7,8,9 Bottom Aluminum - 4,5,6,8,9 Top - 1,2,3,7 Bottom</p> <div style="border: 1px solid black; padding: 5px; text-align: center;"> <p>CONNECTIONS</p> <table style="width: 100%; border-collapse: collapse;"> <tr> <td style="text-align: center;">4</td> <td style="text-align: center;">5</td> <td style="text-align: center;">6</td> <td style="text-align: center;">4</td> <td style="text-align: center;">5</td> <td style="text-align: center;">6</td> </tr> <tr> <td style="text-align: center;">7</td> <td style="text-align: center;">8</td> <td style="text-align: center;">9</td> <td style="text-align: center;">7</td> <td style="text-align: center;">8</td> <td style="text-align: center;">9</td> </tr> <tr> <td style="text-align: center;">1</td> <td style="text-align: center;">2</td> <td style="text-align: center;">3</td> <td style="text-align: center;">1</td> <td style="text-align: center;">2</td> <td style="text-align: center;">3</td> </tr> <tr> <td colspan="3" style="text-align: center;">↑</td> <td colspan="3" style="text-align: center;">↑</td> </tr> <tr> <td colspan="3" style="text-align: center;">LOW VOLTAGE</td> <td colspan="3" style="text-align: center;">HIGH VOLTAGE</td> </tr> </table> </div>						4	5	6	4	5	6	7	8	9	7	8	9	1	2	3	1	2	3	↑			↑			LOW VOLTAGE			HIGH VOLTAGE		
4	5	6	4	5	6																														
7	8	9	7	8	9																														
1	2	3	1	2	3																														
↑			↑																																
LOW VOLTAGE			HIGH VOLTAGE																																



Model Number	BK3-CI-TF-213T-6-B-G-3-230 460-60
MFG PN	TFC213T3U6B
List Price	--
Base Frame	BK-213T-CI-TF



TECHTOP		NEMA TEFC 213T	
ShangHai HIMAK Electrical Machinery CO.,LTD		NO:	TFC 213T3U6B
Design	Standard	STEP MARK	1/2 SDR1 Cast iron Motor
Checker	Allow chu		
Auditing	Date 23/11/2009		